

# TC7SH32F, TC7SH32FU

## 2-INPUT OR GATE

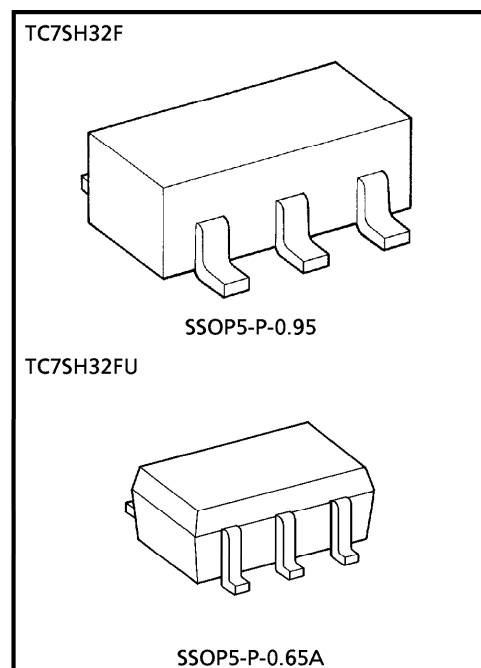
The TC7SH32 is an advanced high speed CMOS 2-INPUT OR GATE fabricated with silicon gate C<sup>2</sup>MOS technology. It achieves the high speed operation similar to equivalent Bipolar Schottky TTL while maintaining the CMOS low power dissipation. The internal circuit is composed of 4 stages including buffer output, which provide high noise immunity and stable output. An input protection circuit ensures that 0 to 7V can be applied to the input pins without regard to the supply voltage. This device can be used to interface 5V to 3V systems and two supply systems such as battery back up. This circuit prevents device destruction due to mismatched supply and input voltages.

### FEATURES

- High Speed .....  $t_{pd} = 3.8ns$  (Typ.) at  $V_{CC} = 5V$
- Low Power Dissipation .....  $I_{CC} = 2\mu A$  (Max.) at  $T_a = 25^\circ C$
- High Noise Immunity .....  $V_{NIH} = V_{NIL} = 28\% V_{CC}$  (Min.)
- Power Down Protection is provided on all inputs.
- Balanced Propagation Delays .....  $t_{pLH} \approx t_{pHL}$
- Wide Operating Voltage Range .....  $V_{CC} (opr) = 2 \sim 5.5V$

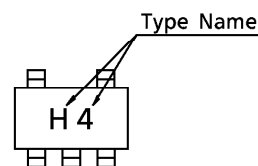
### MAXIMUM RATINGS

PARAMETER	SYMBOL	VALUE	UNIT
Supply Voltage Range	$V_{CC}$	-0.5~7.0	V
DC Input Voltage	$V_{IN}$	-0.5~7.0	V
DC Output Voltage	$V_{OUT}$	-0.5~ $V_{CC} + 0.5$	V
Input Diode Current	$I_{IK}$	-20	mA
Output Diode Current	$I_{OK}$	±20	mA
DC Output Current	$I_{OUT}$	±25	mA
DC $V_{CC}$ /Ground Current	$I_{CC}$	±50	mA
Power Dissipation	$P_D$	200	mW
Storage Temperature	$T_{stg}$	-65~150	°C
Lead Temperature (10s)	$T_L$	260	°C



Weight SSOP5-P-0.95 : 0.016g (Typ.)  
 SSOP5-P-0.65A : 0.006g (Typ.)

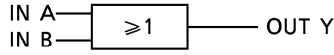
### MARKING



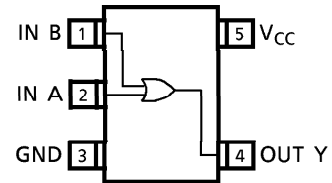
### TRUTH TABLE

A	B	Y
H	H	H
L	H	H
H	L	H
L	L	L

**LOGIC DIAGRAM**



**PIN ASSIGNMENT (TOP VIEW)**



**RECOMMENDED OPERATING CONDITIONS**

PARAMETER	SYMBOL	VALUE	UNIT
Supply Voltage	$V_{CC}$	2.0~5.5	V
Input Voltage	$V_{IN}$	0~5.5	V
Output Voltage	$V_{OUT}$	0~ $V_{CC}$	V
Operating Temperature	$T_{opr}$	-40~85	°C
Input Rise and Fall Time	$d_t / d_v$	0~100 ( $V_{CC} = 3.3 \pm 0.3V$ )	ns/V
		0~20 ( $V_{CC} = 5 \pm 0.5V$ )	

**DC ELECTRICAL CHARACTERISTICS**

PARAMETER	SYMBOL	TEST CIRCUIT	TEST CONDITION	Ta = 25°C			Ta = -40~85°C		UNIT		
				$V_{CC}$	MIN.	TYP.	MAX.	MIN.		MAX.	
High-Level Input Voltage	$V_{IH}$	—	—	2.0 3.0~ 5.5	1.50 $V_{CC}$ $\times 0.7$	— — —	— — —	1.50 $V_{CC}$ $\times 0.7$	—	V	
Low-Level Input Voltage	$V_{IL}$	—	—	2.0 3.0~ 5.5	— — —	— — —	— — —	0.50 $V_{CC}$ $\times 0.3$	— — —	0.50 $V_{CC}$ $\times 0.3$	V
High Level Output-Voltage	$V_{OH}$	—	$V_{IN} = V_{IH}$ or $V_{IL}$	$I_{OH} = -50\mu A$	2.0	1.9	2.0	—	1.9	—	V
					3.0	2.9	3.0	—	2.9	—	
					4.5	4.4	4.5	—	4.4	—	
Low-Level Output-Voltage	$V_{OL}$	—	$V_{IN} = V_{IL}$	$I_{OL} = 50\mu A$	2.0	—	0.0	0.1	—	0.1	V
					3.0	—	0.0	0.1	—	0.1	
					4.5	—	0.0	0.1	—	0.1	
Low-Level Output-Voltage	$V_{OL}$	—	$V_{IN} = V_{IL}$	$I_{OL} = 4mA$ $I_{OL} = 8mA$	3.0	—	—	0.36	—	0.44	V
					4.5	—	—	0.36	—	0.44	
					—	—	—	—	—	—	
Input Leakage Current	$I_{IN}$	—	$V_{IN} = 5.5V$ or GND	0~ 5.5	—	—	$\pm 0.1$	—	$\pm 1.0$	$\mu A$	
Quiescent Supply Current	$I_{CC}$	—	$V_{IN} = V_{CC}$ or GND	5.5	—	—	2.0	—	20.0		

**AC ELECTRICAL CHARACTERISTICS (Input  $t_r = t_f = 3\text{ns}$ )**

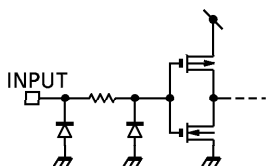
PARAMETER	SYMBOL	TEST CIRCUIT	TEST CONDITION		Ta = 25°C			Ta = -40~85°C		UNIT	
			V <sub>CC</sub> (V)	C <sub>L</sub> (pF)	MIN.	TYP.	MAX.	MIN.	MAX.		
Propagation Delay Time	t <sub>PLH</sub>	—	—	3.3 ± 0.3	15	—	5.5	7.9	1.0	9.5	ns
					50	—	8.0	11.4	1.0	13.0	
	t <sub>PHL</sub>			5.0 ± 0.5	15	—	3.8	5.5	1.0	6.5	
					50	—	5.3	7.5	1.0	8.5	
Input Capacitance	C <sub>IN</sub>	—	—	—	4	10	—	10	pF		
Power Dissipation Capacitance	C <sub>PD</sub>	—	Note (1)	—	15	—	—	—	pF		

Note (1) : C<sub>PD</sub> is defined as the value of the internal equivalent capacitance which is calculated from the operating current consumption without load.

Average operating current can be obtained by the equation :

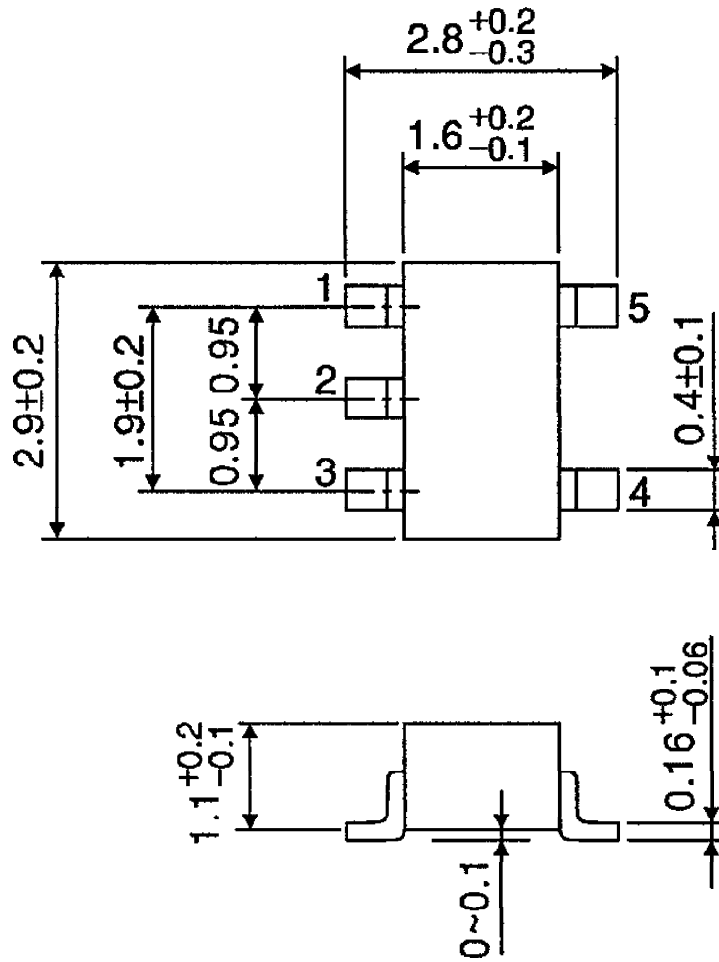
$$I_{CC (opr)} = C_{PD} \cdot V_{CC} \cdot f_{IN} + I_{CC}$$

**INPUT EQUIVALENT CIRCUIT**



**PACKAGE DIMENSIONS**  
SSOP5-P-0.95

Unit : mm



Weight : 0.016g (Typ.)

PACKAGE DIMENSIONS  
SSOP5-P-0.65A

Unit : mm



Weight : 0.006g (Typ.)

**RESTRICTIONS ON PRODUCT USE**

000707EBA

- TOSHIBA is continually working to improve the quality and reliability of its products. Nevertheless, semiconductor devices in general can malfunction or fail due to their inherent electrical sensitivity and vulnerability to physical stress. It is the responsibility of the buyer, when utilizing TOSHIBA products, to comply with the standards of safety in making a safe design for the entire system, and to avoid situations in which a malfunction or failure of such TOSHIBA products could cause loss of human life, bodily injury or damage to property. In developing your designs, please ensure that TOSHIBA products are used within specified operating ranges as set forth in the most recent TOSHIBA products specifications. Also, please keep in mind the precautions and conditions set forth in the "Handling Guide for Semiconductor Devices," or "TOSHIBA Semiconductor Reliability Handbook" etc..
- The TOSHIBA products listed in this document are intended for usage in general electronics applications (computer, personal equipment, office equipment, measuring equipment, industrial robotics, domestic appliances, etc.). These TOSHIBA products are neither intended nor warranted for usage in equipment that requires extraordinarily high quality and/or reliability or a malfunction or failure of which may cause loss of human life or bodily injury ("Unintended Usage"). Unintended Usage include atomic energy control instruments, airplane or spaceship instruments, transportation instruments, traffic signal instruments, combustion control instruments, medical instruments, all types of safety devices, etc.. Unintended Usage of TOSHIBA products listed in this document shall be made at the customer's own risk.
- The products described in this document are subject to the foreign exchange and foreign trade laws.
- The information contained herein is presented only as a guide for the applications of our products. No responsibility is assumed by TOSHIBA CORPORATION for any infringements of intellectual property or other rights of the third parties which may result from its use. No license is granted by implication or otherwise under any intellectual property or other rights of TOSHIBA CORPORATION or others.
- The information contained herein is subject to change without notice.